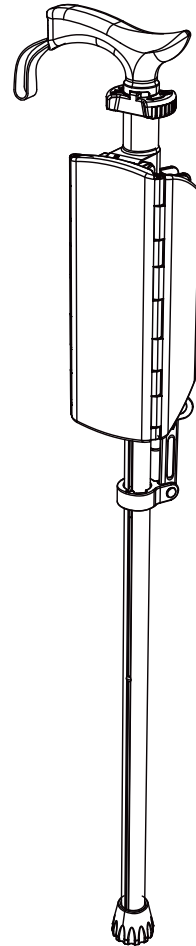
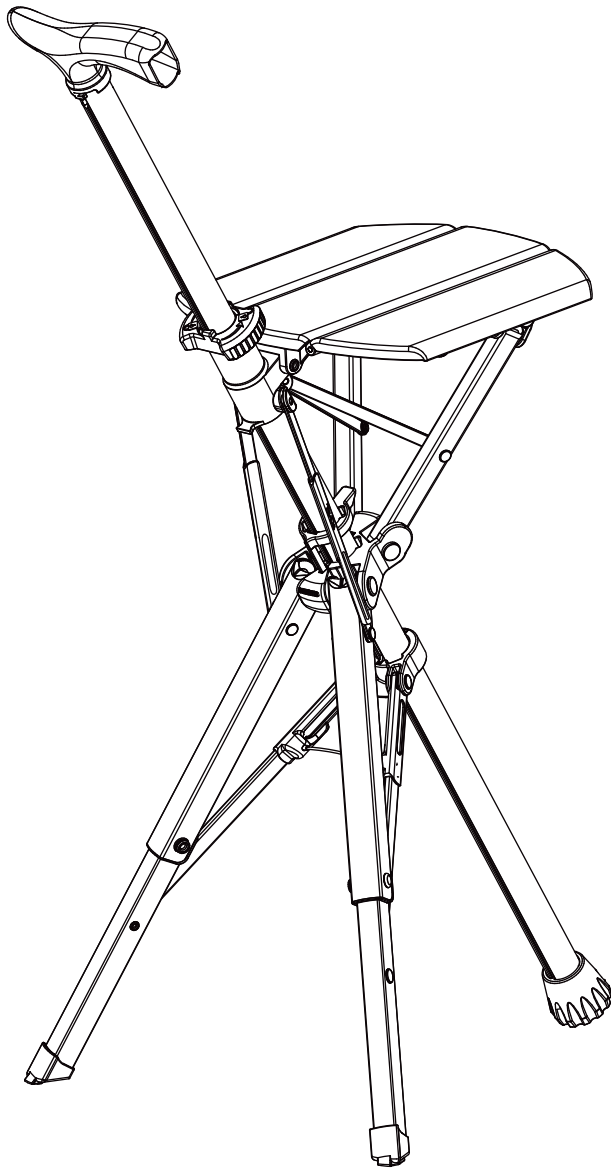




# Ta-Da<sup>®</sup> Chair



**IMPORTANT!** For proper usage, please read the manual before usage. Retain the manual carefully for future reference.



Step2Gold Co., Ltd.  
4F, No. 118, Chengdu Rd.,  
Xitun Dist Taichung City  
40751, Taiwan



Designed and Manufactured by Step2Gold Co., Ltd. in Taiwan

# Table of contents

Title	Page
Characteristic & Applicable Object -----	1
Product Dimension & Specifications -----	2~3
Safety Warning -----	4~5
Instructions -----	6~9
Clean & Maintenance -----	10
Product Storage Methods -----	11
Consumable Repleacement -----	12~13
Warranty Instruction -----	14

# Ta-Da<sup>®</sup> Chair Characteristic

- Ta-Da<sup>®</sup> Chair is a versatile mobility aid that provides one person with a walking stick for support or a seat for resting. The walking stick fits assisting user to obtain stable movement. The seat is designed for temporary sitting.
- This design which instantly converts a walking stick into a chair offers rest for tired legs and knees immediately.
- With its unique design, the seat can adjust itself according to the angle of the user body to boost sitting comfort.
- One-Touch function, user can convert walking stick into chair immediately by slightly rotating the rotary switch.
- Once folded to a stick, the bulk weight of the collapsed chair is up closed to the stick's handle, reducing the users effort to swing or utilize the stick.
- Several groundbreaking patented designs make the product safe and easy to use. User will be able to experience its extraordinary functionality and practicality.

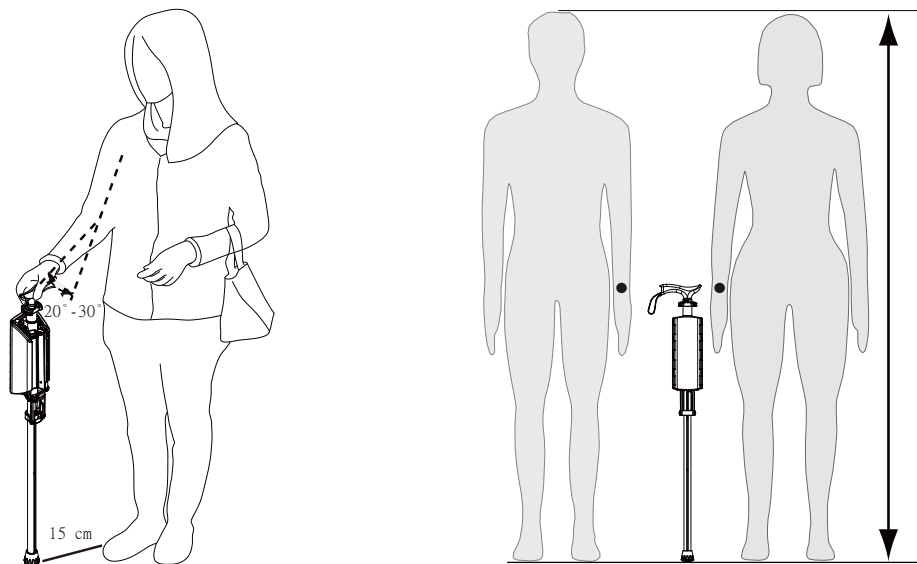
※Ta-Da<sup>®</sup> Chair is not a product for medical purposes.

※Ta-Da<sup>®</sup> Chair is not an ordinary seat.

※The patents information of product is accessible on website of Step2Gold, [www.step2gold.com](http://www.step2gold.com)

# Ta-Da<sup>®</sup> Chair Applicable Object

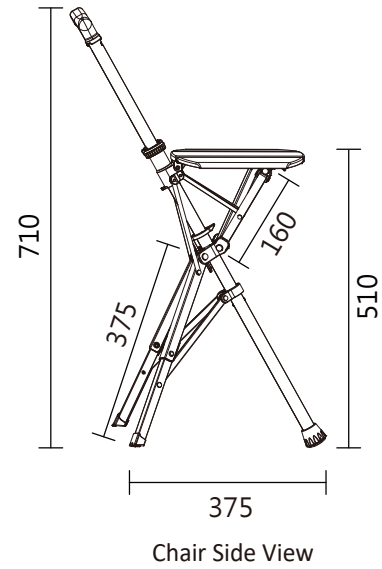
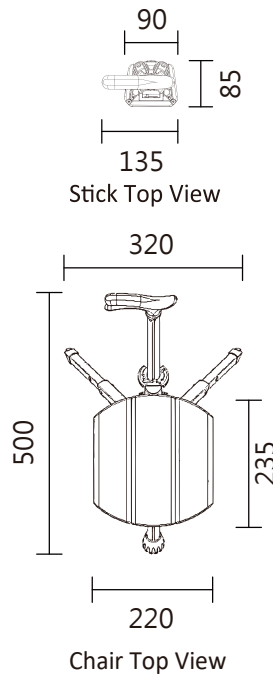
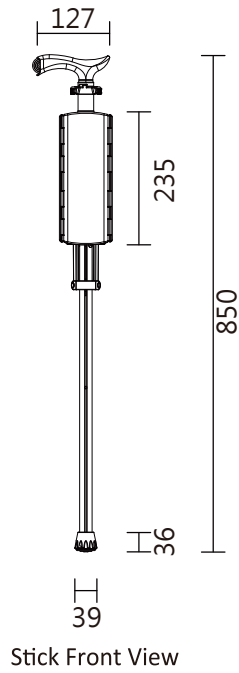
- People who are aged 16 or above are able to walk independently and have good sitting balance while sitting.
- Maximum Weight Capacity: 100kgs



- To choose a fitted stick length, stand with your shoulders dropping naturally and arm bending at about 20° to 30° angle while holding the handle. The rubber foot of walking stick should be placed about 15 centimeters from the front of user's foot. Specifications of following page is for reference. Selection of product shall be fully based on individual's comfort.

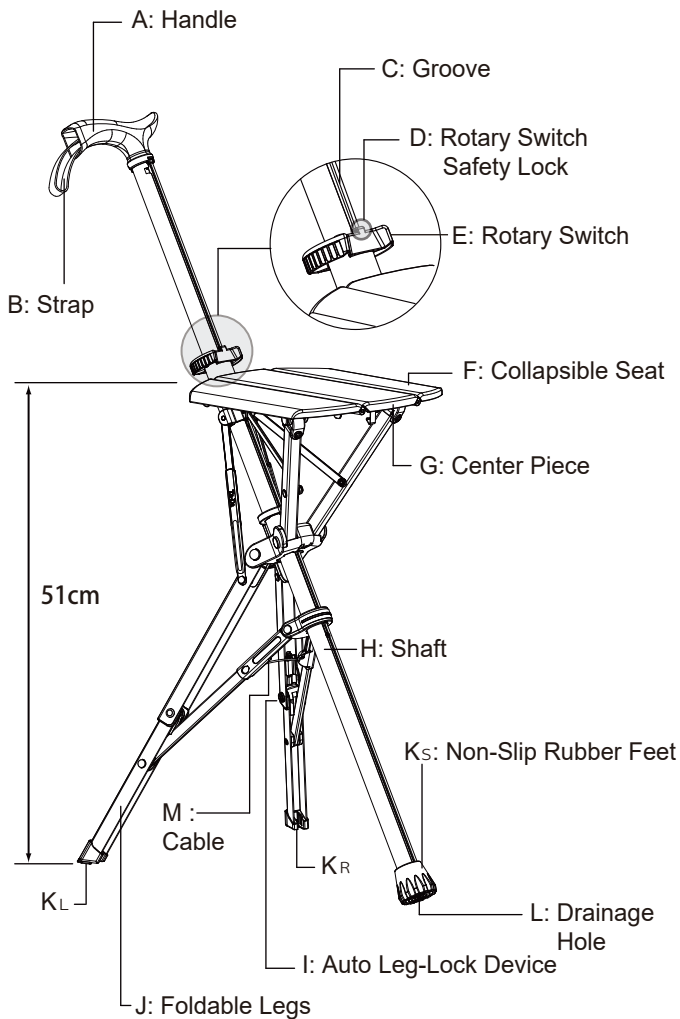
# Product Dimensions Unit: mm

**Ta-Da® Chair**  
**Art.No. 13850**



# Ta-Da® Chair Specifications

#13850  
Product Specifications



Product Name	Ta-Da® Chair	
Construction Materials	Parts Name	Materials
	A: Handle	PP
	B: Strap	
	E: Rotary Switch	Nylon
	F: Collapsible Seat	
	H: Shaft	Aluminum
	J: Foldable Legs	
	K: Non-Slip Rubber Feet	Rubber
M: Cable	Stainless Steel	
Seat Height	51cm	
Product Weights	0.92kgs(2.02lbs) ± 3%	
Maximum Weight Capacity	100kgs(220lbs)	
Accessories	User Manual, Storage Bag	

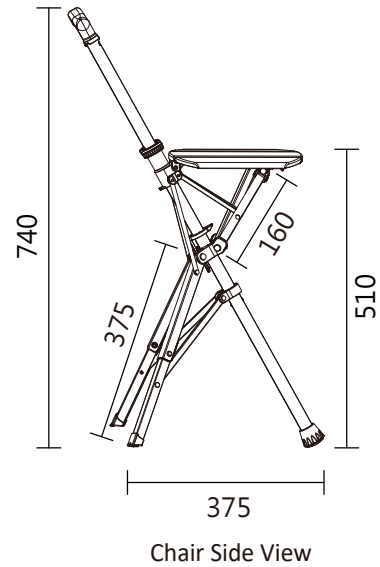
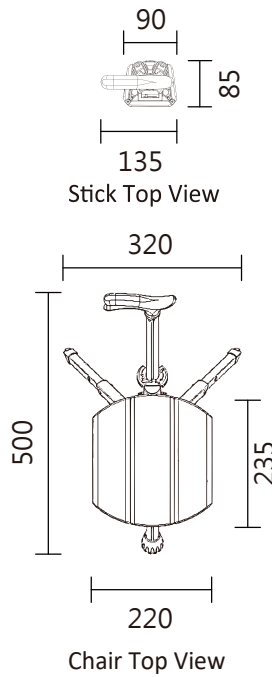
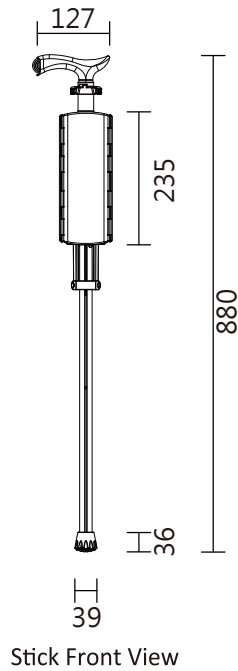
## Discard Notice

Follow discard legislation in region users stay.



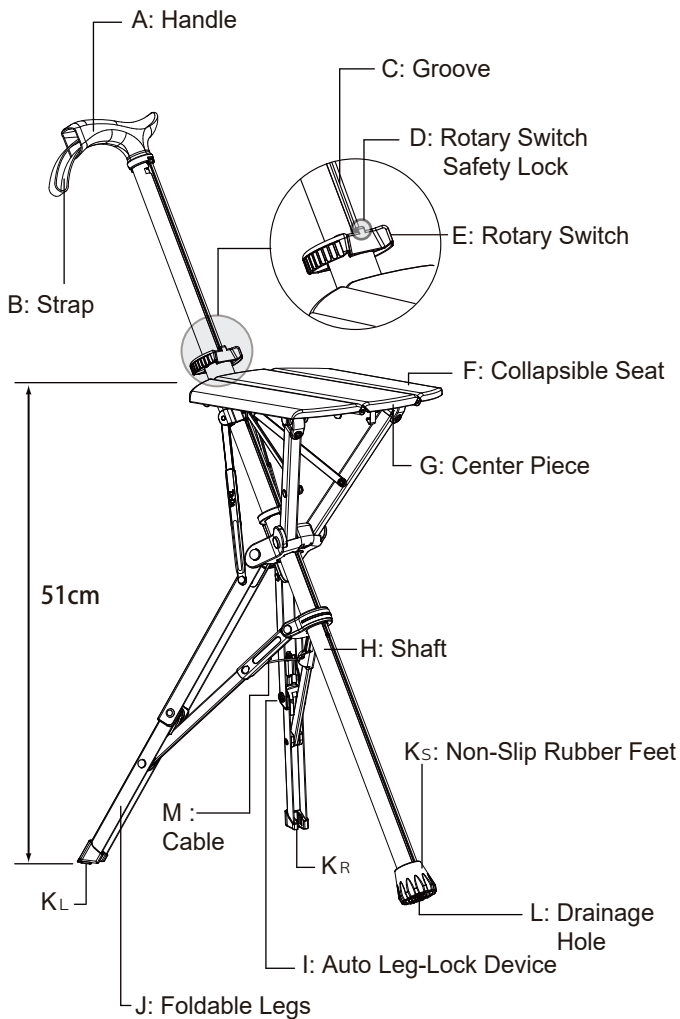
# Product Dimensions Unit: mm

**Ta-Da® Chair**  
**Art.No. 13880**



# Ta-Da® Chair Specifications

#13880  
Product Specifications



Product Name	Ta-Da® Chair	
Construction Materials	Parts Name	Materials
	A: Handle	PP
	B: Strap	
	E: Rotary Switch	Nylon
	F: Collapsible Seat	
	H: Shaft	Aluminum
	J: Foldable Legs	
	K: Non-Slip Rubber Feet	Rubber
M: Cable	Stainless Steel	
Seat Height	51cm	
Product Weights	0.93kgs(2.04lbs) ± 3%	
Maximum Weight Capacity	100kgs(220lbs)	
Accessories	User Manual, Storage Bag	

## Discard Notice

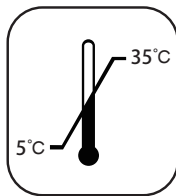
Follow discard legislation in region users stay.



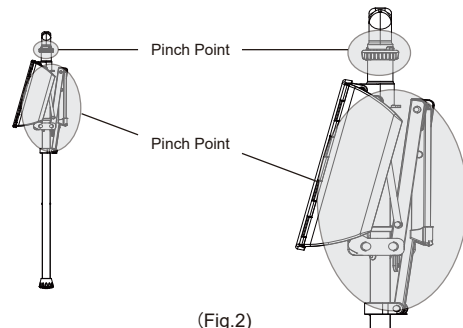
## Safety Warning :

For safety concern, follow instruction below to use the product.

- This product is a mobility aid but not a medical product. This product is not made for commercial purposes.
- This product offers the functions of a walking stick or a seat. Do not use this product for other purposes.
- This product also offers function as a chair hence its weight is slightly higher than that of an ordinary walking stick. Considering user's standing ergonomics to choose adequate walking stick length, weight and handling comfort before using the product.
- Before usage, inspect to make sure all product appearance and parts are not damaged, loosen or deformed, inspect to ensure all parts are in correct place secured. Once cracks or strength deficiency that are caused by parts loosen, damage, not in correct place, discoloration, materials degradation are discovered etc., please stop using the product immediately.
- For people who are aged 16 or above, keep away from persons under 16 to prevent accidents such as falling caused by climbing, pinching of any human body parts, or injuries caused by product deploying unexpectedly.
- To prevent the danger caused by loss of functions, please do not dismantle or modify the product.
- Avoid product dropping or collision, which may cause deformity or damage of product.
- When not in use, preserve the product in a cool and ventilated indoor place and keep product away from direct solar radiation or heat.
- Do not use product in snow fall, on icy ground, inclement weather.
- Operating Temperature: 40°F to 95°F (5°C to 35°C).(Fig.1)
- Product service cycle: 3 year. In case strength deterioration caused by material degradation, plastics for example, for safety concern, user needs to inspect product periodically. Product durability will deteriorate under conditions of direct solar radiation, heat, getting wet in rain. Once discoloration, cracks, damage, and deformities during usage are confirmed, please stop usage immediately and purchase new one.
- Non-Slip Rubber Feet on this product are classified as consumables. In case worn, damaged, slip-proof deteriorated or detached to expose metal sharp edge, please stop using immediately and purchase consumables for replacement.
- When deploying or folding product, be cautious of risk of pinching human body parts, such as hand. (Fig.2)



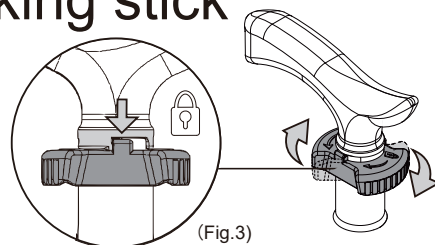
(Fig.1)



(Fig.2)

- Once this product cannot be folded or deployed, please stop using this product immediately.

## Functions of Walking stick



(Fig.3)

- As a walking stick, ensure the Rotary Switch (E) is in correct locked position and secured. Be cautious NOT to imprudently unlock the Safety Lock of Rotary Switch. In case unlock imprudently, this product will deploy seat immediately, which standing balance will be destroyed and leading to fall as well as accident that touching surrounding persons or objects while deploying. (Fig.3)
- When walking on uneven ground or ground with hole, the walking stick may stuck in the hole or gap. Please be cautious as using this product.
- Non-Slip Rubber Feet possesses capability of Non-Slip. In wet areas, the non-slip capability of the Non-Slip Rubber Feet will reduce. Please use it carefully.
- A walking stick shall not be used for climbing, trekking or self-defense.



# Safety Warning :

For safety concern, follow instruction below to use the product.

## Function of Chair

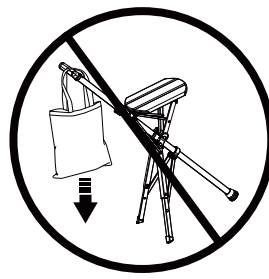
- As a seat, this product is for single person. Maximum Weight capacity of the product is 100kgs. As sitting, weight sum of user and belongings shall be equal or less than 100kgs.
- When Sitting, please do not carry item more than 5kgs. If you are carrying heavy weight, please put it on the ground before sitting on it.
- The seat area is small; people without good sitting balance or need other support as seated should not use it.
- Make sure not to touch surrounding persons or objects when deploying.
- Before sitting, make sure the Foldable Legs and the seat stiz of the product are fully deployed and secured. When sitting down, make sure all three legs of the chair are touching the ground simultaneously.
- Before sitting, make sure Safety Lock of Rotary Switch is locked and secured. If unlocked, Rotary Switch will go upward or downward along the product shaft, which causes seat unstable.
- Use this product on firm and flat surfaces. Avoid use on the floor with gaps, height differences, or surfaces made slippery by water, oil, moss ,etc.(Fig.4) Do not use in bathrooms or moving vehicles.



(Fig.4)



(Fig.5)



(Fig.6)

- To prevent accidents caused by the seat tilting forward due to an excess of force on the handle, do not use the handle as support when standing up or sitting down.(Fig.5) As sitting, object hanging on product handle may cause product tipping forward. Please do not hang any object on the handle as a seat.(Fig.6)

Correct Usage

- Please sit astride the product facing the handle with hands on the handle for balance as product deployed. (Fig.7)



(Fig.7)

- Do not sit sideways, reclined with back facing handle, or stand on the chair. (Fig.8)

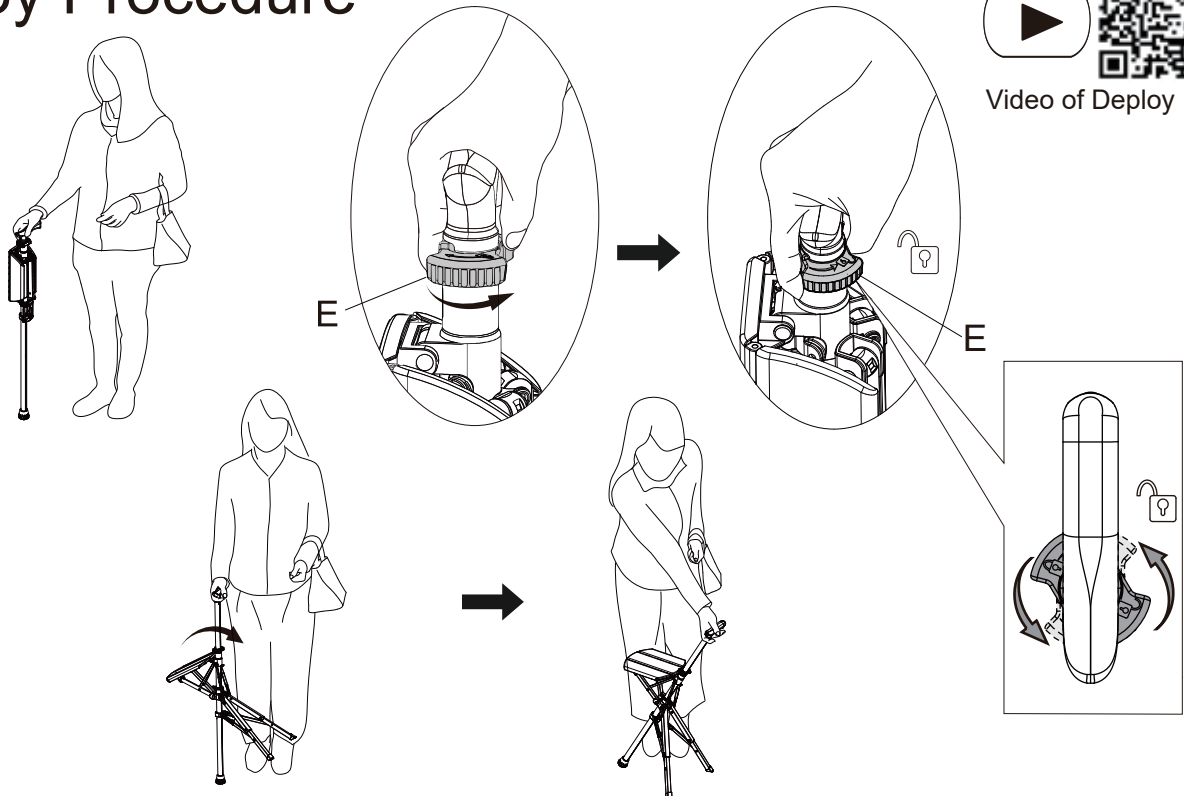
In-correct Usage



(Fig.8)

- When sitting, please sit on the center of the seat. Do not sit on the handle or the edge of seat.
- Sit on the chair steadily. As sitting, in particular, do not rock or drag the chair or only use two legs or single leg of the chair as support.
- When getting up from the seat, please be careful not to snag the hem of your dress or belonging on the chair to avoid stumbling.

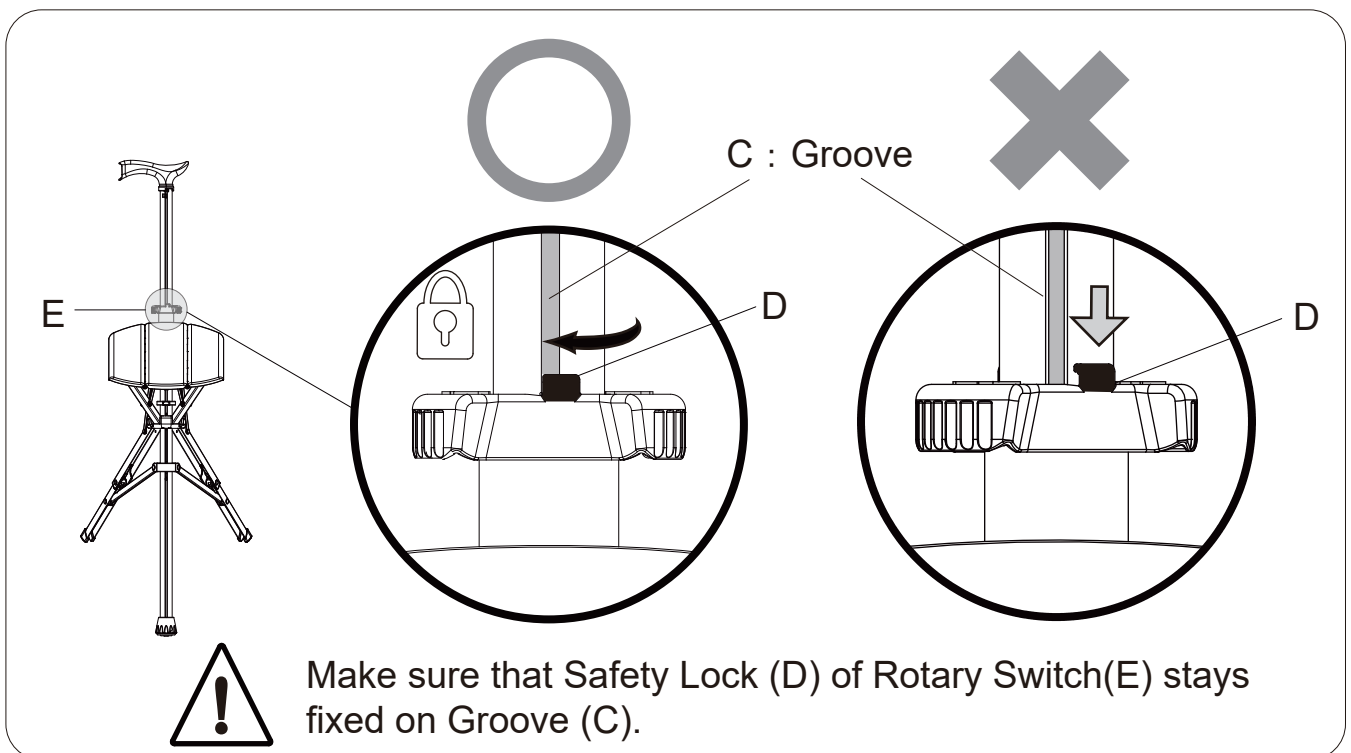
# Deploy Procedure



- Before deploying, find a firm and flat ground. Position walking stick straight up. Rotate the Rotary Switch (E) counter-clockwise direction to the unlocked position. Then seat and Foldable Legs (J) will jointly slide down deploying a three-legged chair automatically.

In order to deploy the seat smoothly under the rigorous condition of low temperature or sand intrusion, please shake the stick.

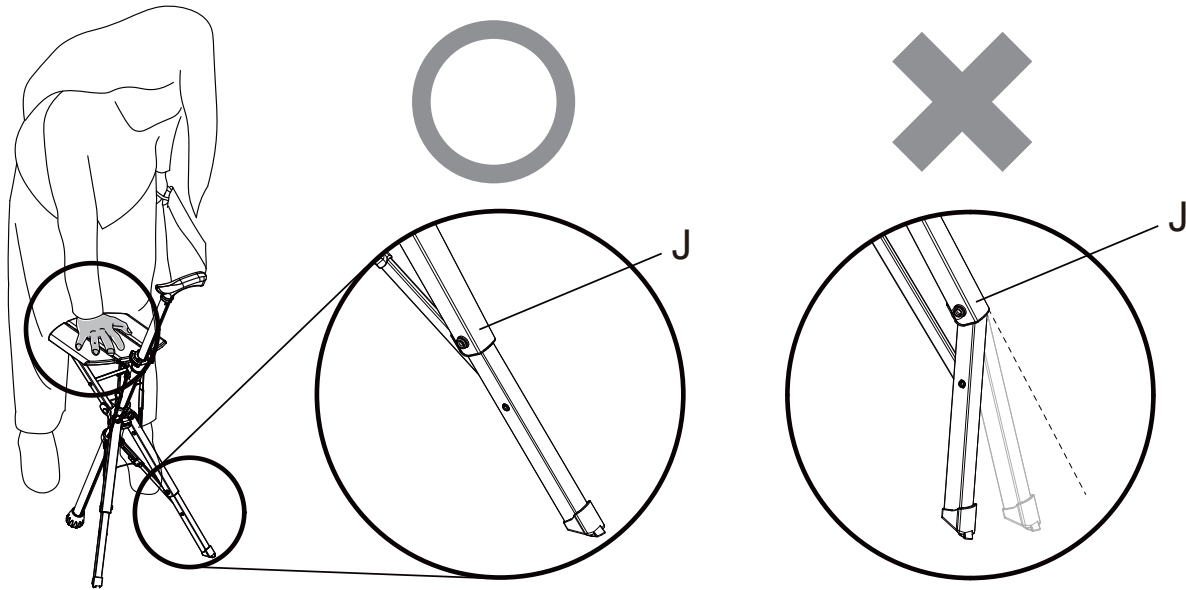
## Warning: Pre-use confirmation



- After deploying, make sure that Safety Lock (D) of Rotary Switch (E) stays fixed on the Groove (C), in locked position. Also ensure the Rotary Switch (E) is in fixed position without any upward or downward movement.



# Attention for Placing Deployed Ta-Da® Chair



- Inspect to ensure seat sits and Foldable Legs (J) are fully unfolded. Inspect to ensure all component parts of product are intact and no damage. Place the deployed Ta-Da® Chair on firm and flat ground. Press seat with hand to ensure Foldable Legs (J) are fully unfolded and stable.

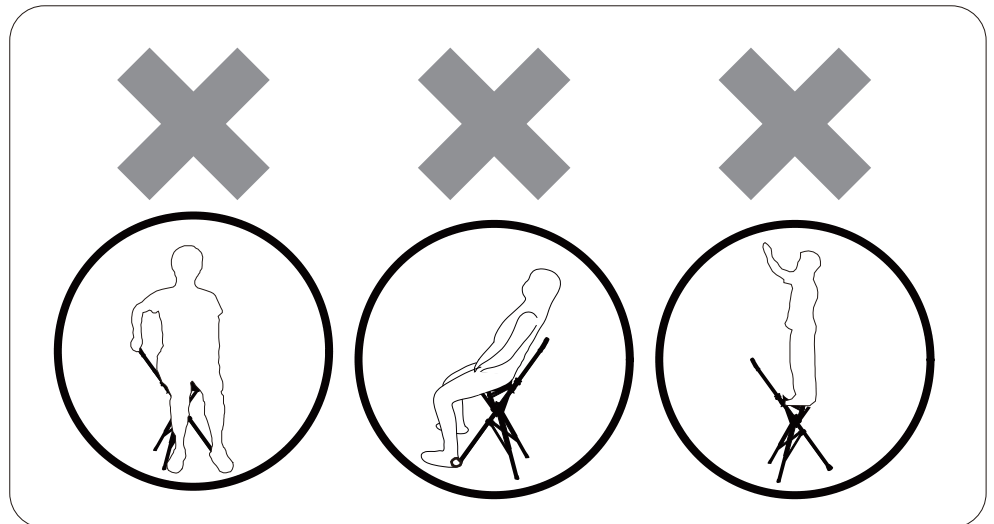


After Ta-Da® Chair deployed, place the product on firm and flat surfaces.

## Correct Usage



## In-correct Usage



- For user safety concern, sit on the center of the seat facing the handle with hands on the handle and product shaft between two human legs to keep human body in balance.



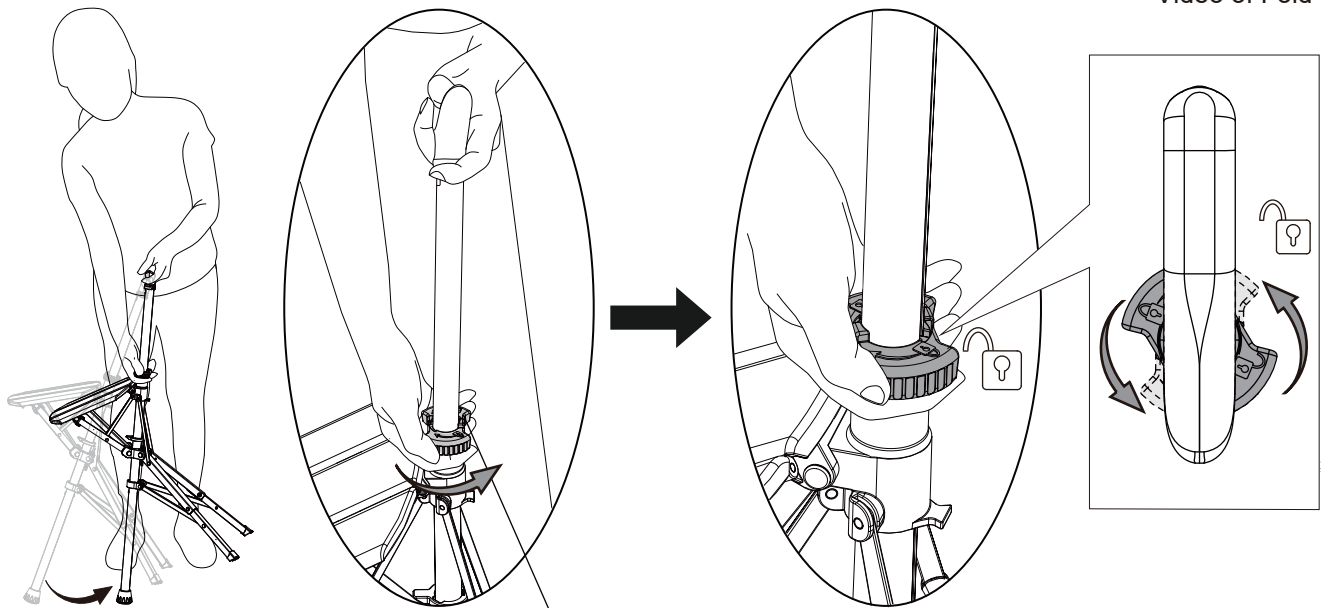
Sit on the chair steadily. As sitting, in particular, do not rock or drag the chair or only use two legs or single leg of the chair as support.

# Fold Procedure ( Please follow step A → B → C )



Video of Fold

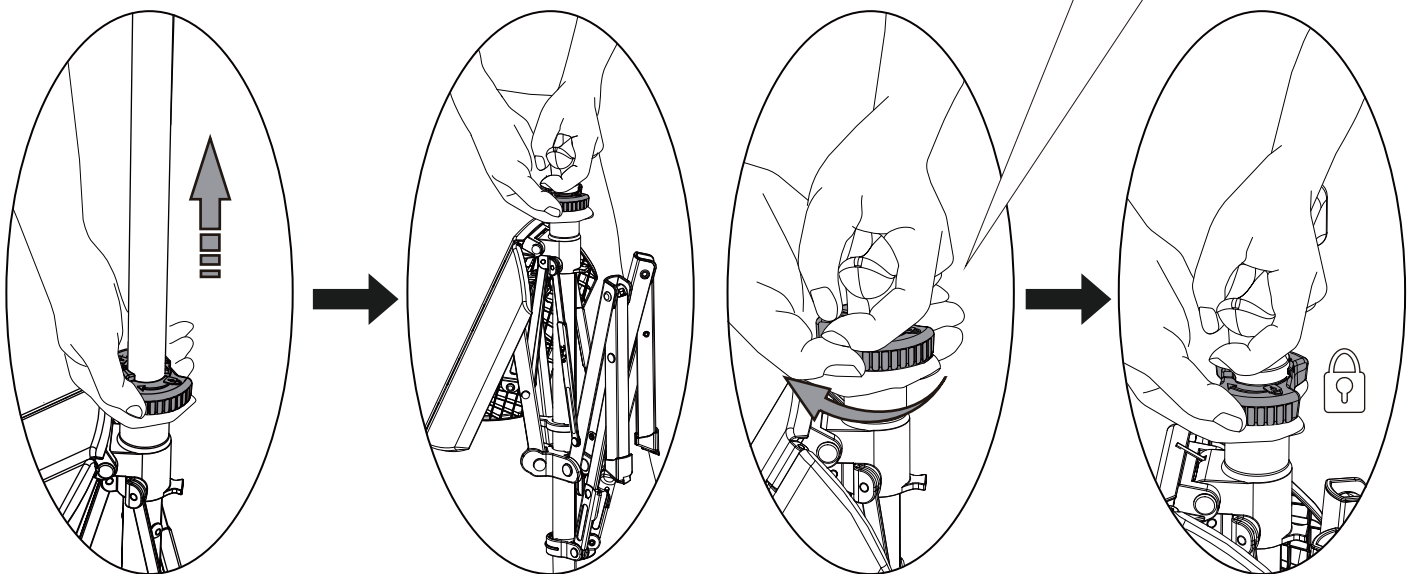
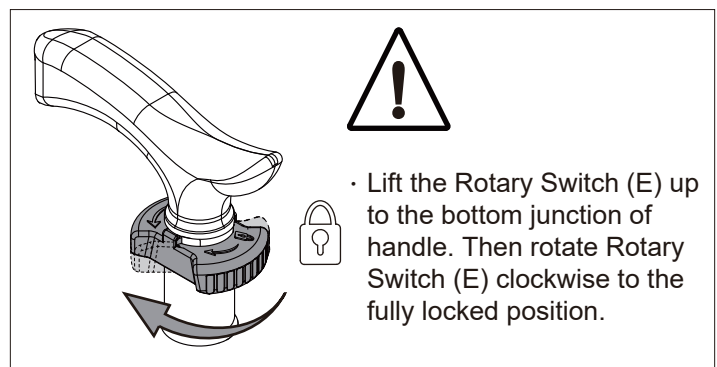
## A



E: Rotary Switch

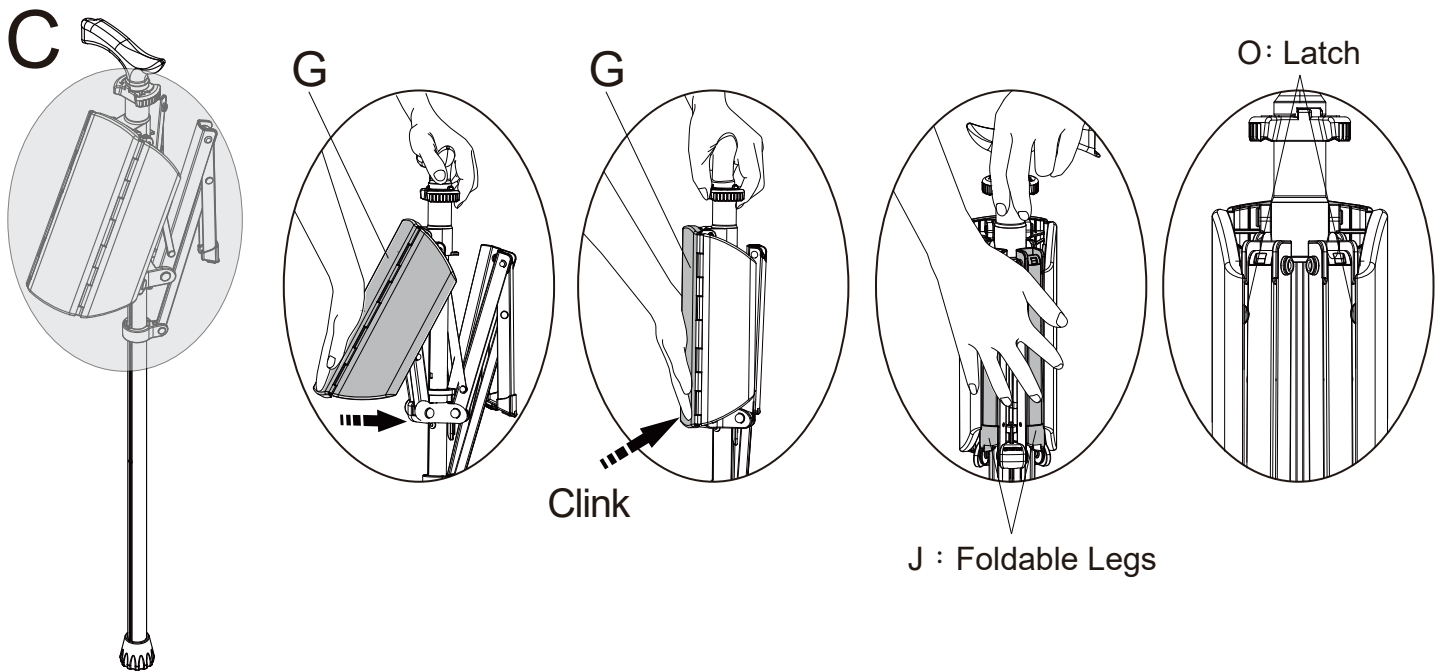
- One hand holds the handle. The other hand rotates the Rotary Switch (E) counter-clockwise direction to the unlocked position.

## B



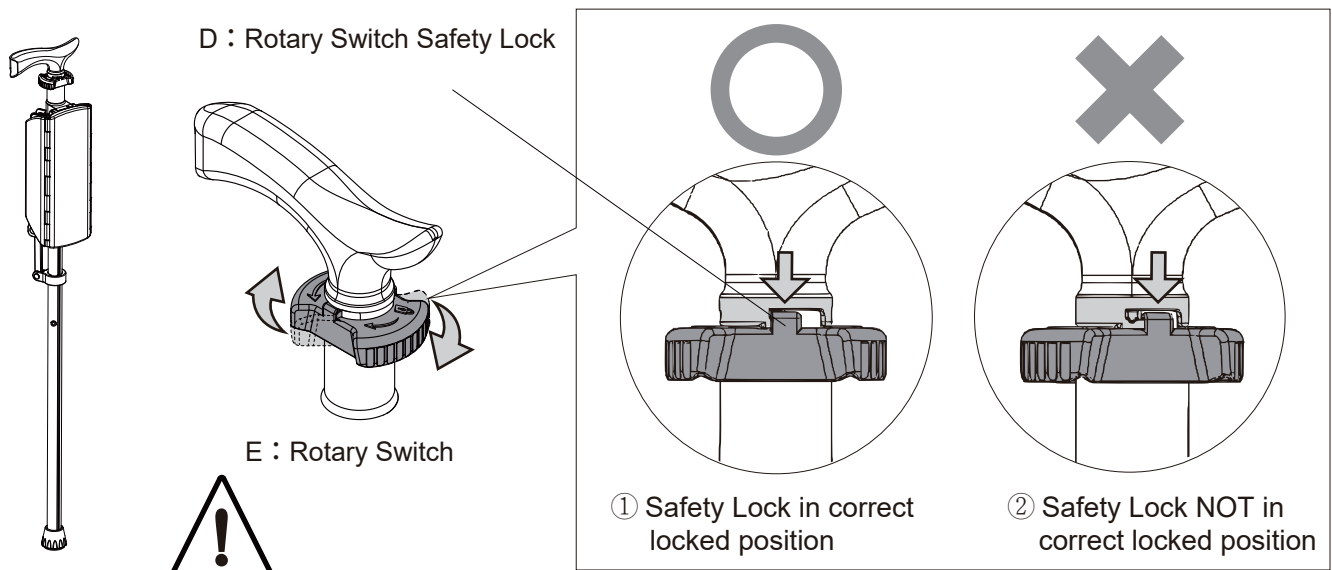
- Continue on procedure above, lift up the Rotary Switch (E) to top of the walking stick (bottom junction of handle). Then rotate Rotary Switch (E) clockwise to the locked position.



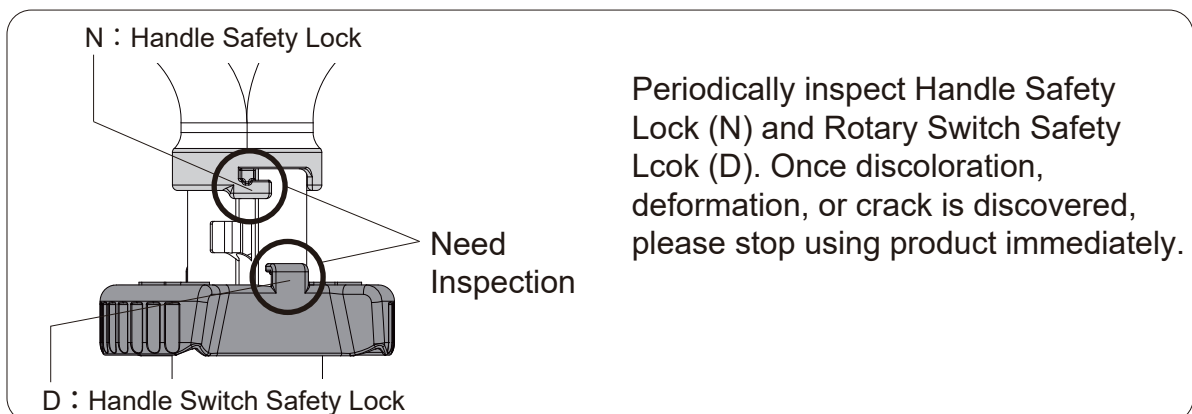


- Press the Center Piece (G) till hearing the “clink” sound of the inner hook. Once Foldable Legs (J) are folded, stored and firmly secured inside the latch (O) of collapsed seat, Ta-Da® Chair can be used as walking stick.

## Attention for Rotary Switch as Folding



- Rotary Switch Safety Lock (D) shall be in correct locked position ① . In case NOT in correct locked position ② , it may unexpectedly happen to deploy so as to touch or trip surrounding persons or objects.

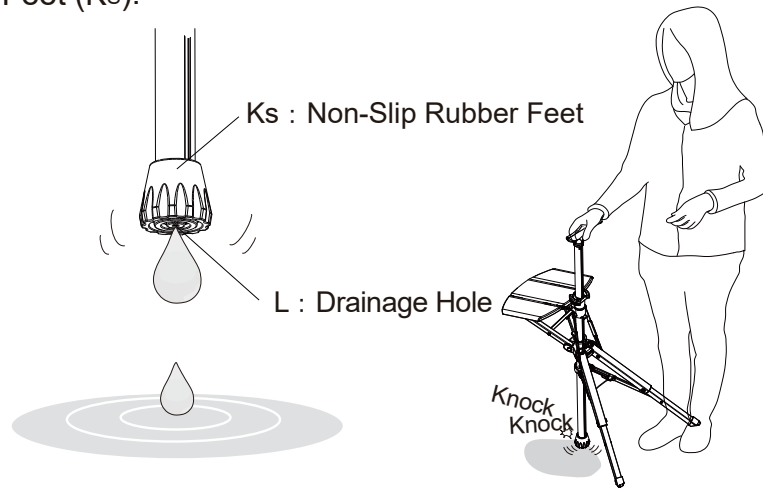


# Clean & Maintenance

- In order to keep this product clean and dry. Use damp cloth to remove dust then use dry cloth to dry this product.
- Once product cannot be deployed or folded smoothly due to incoming dirt, rinse the sliding surface and foldable joint while product deployed. Lightly knock the product vertically to the ground to ensure water is fully drained through Drainage Hole (L) on the Non-Slip Rubber Feet (Ks). Dry the product and keep indoors with adequate air ventilation till water completely depleted.



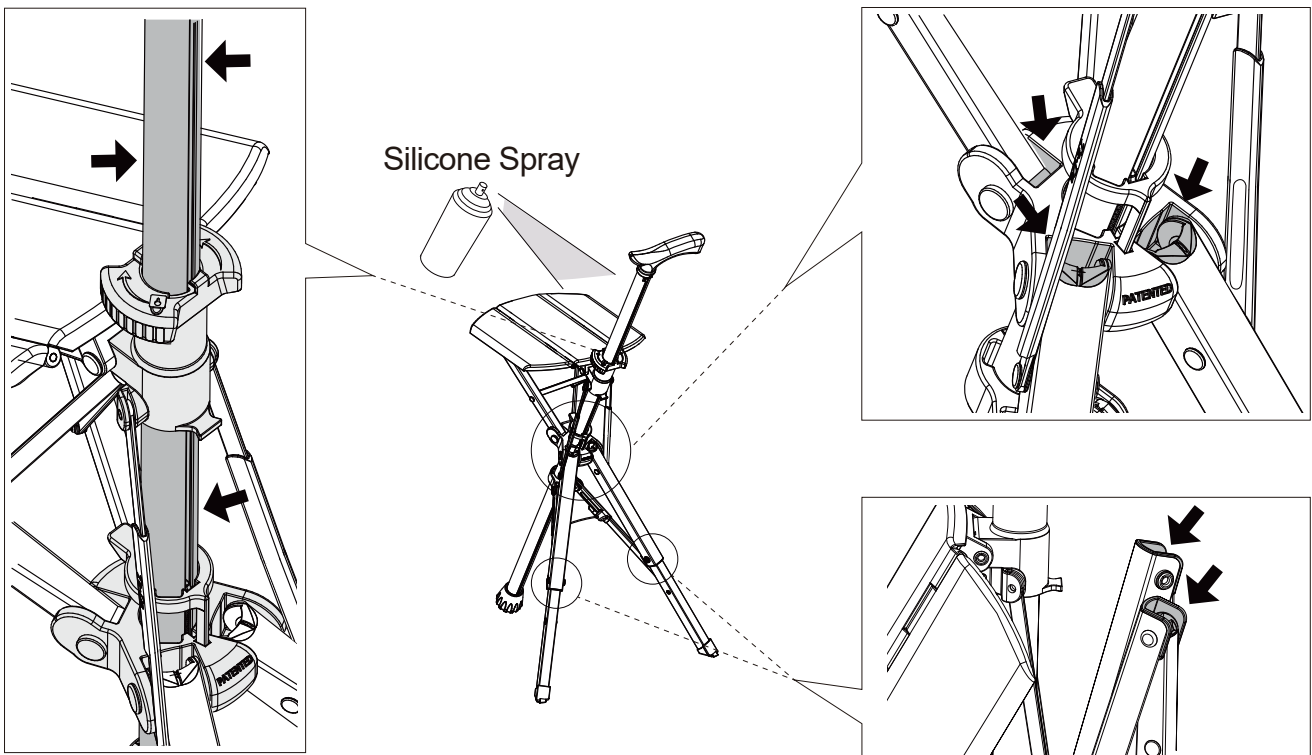
- Before using product, make sure water is fully drained through Drainage Hole (L) to eliminate possibility that non-slip capacity deteriorates due to wet Non-Slip Rubber Feet (Ks).



- In case product cannot be deployed or folded smoothly after rinsing, use commercially available silicone spray on stuck spots, movable parts or junction spots to make product deployed and folded smoothly.



- Please use silicone spray only. Grease (lubricant) is not allowed.



( ← ) Spots need spray

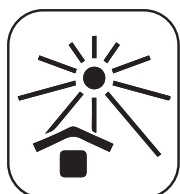
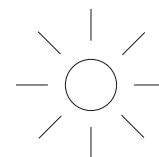
Before Collapsible Seat and Foldable Legs are completely folded.



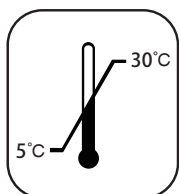
# Product Storage Methods

## Place for Product Storage

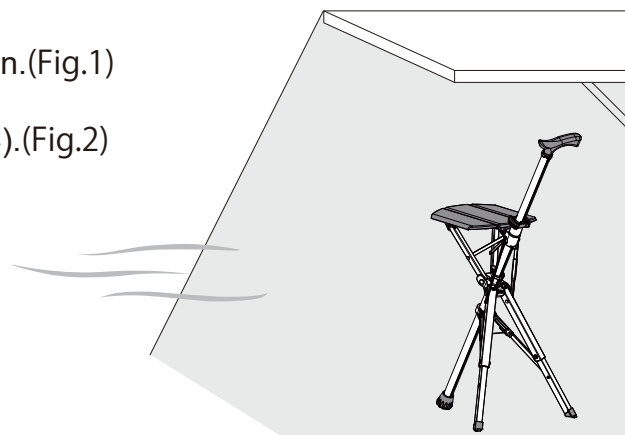
- When not in use, preserve the product in a cool and ventilated indoor place and keep product away from intense solar radiation or heat to prevent from discoloration, deformities or materials degradation.(Fig.1)
- Keep out of reach of children.
- Storage Temperature: 40°F to 95°F (5°C to 30°C).(Fig.2)



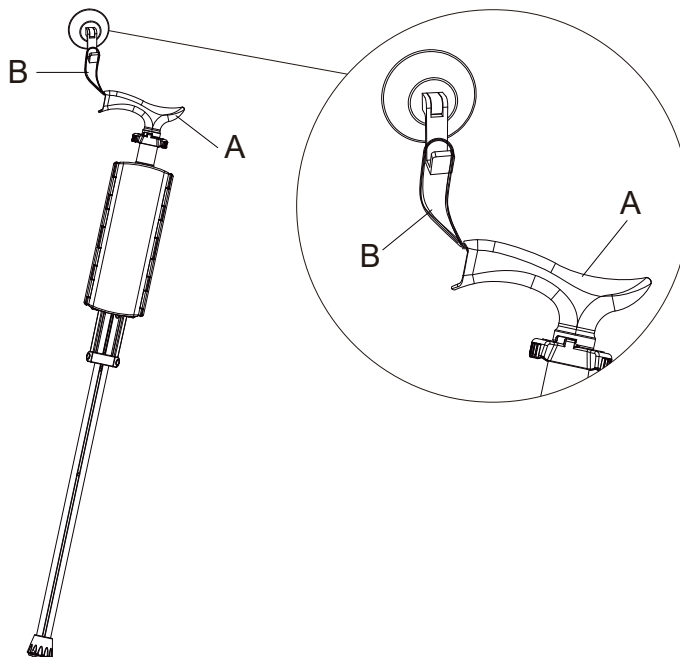
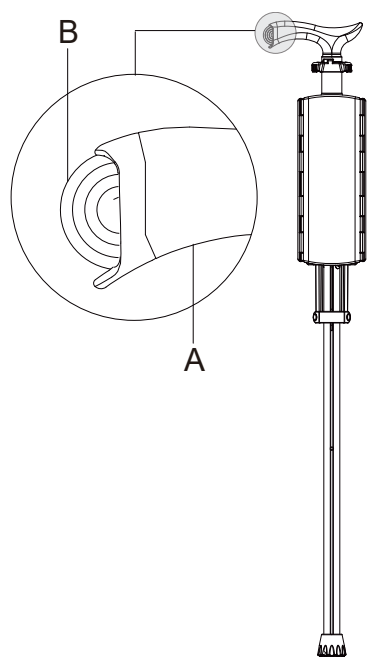
(Fig.1)



(Fig.2)



## Short period product storage



- As Ta-Da<sup>®</sup> Chair not in use, take the Strap (B) out of Handle (A) to hang the product for storage.
- As the Strap (B) not in use, fold the Strap (B) and then store it into the Handle (A).

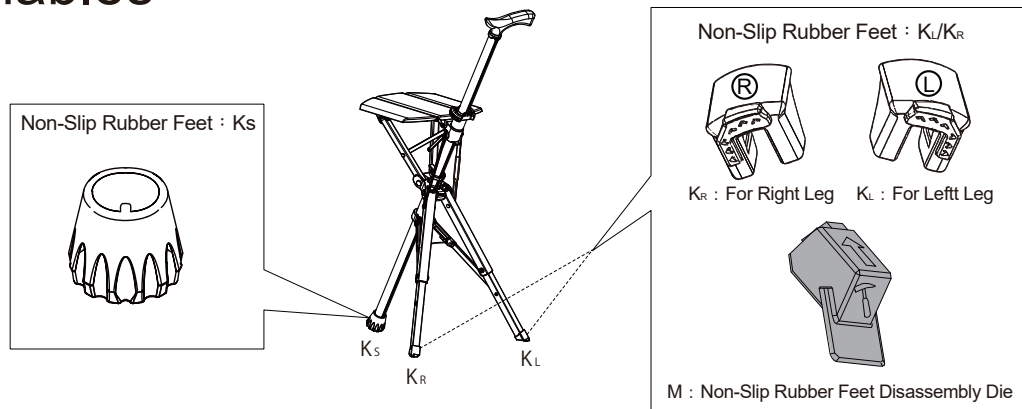
## Long-term Product Storage

- Please ensure the product is completely dry and put into the backpack for storage.

# Consumables Replacement

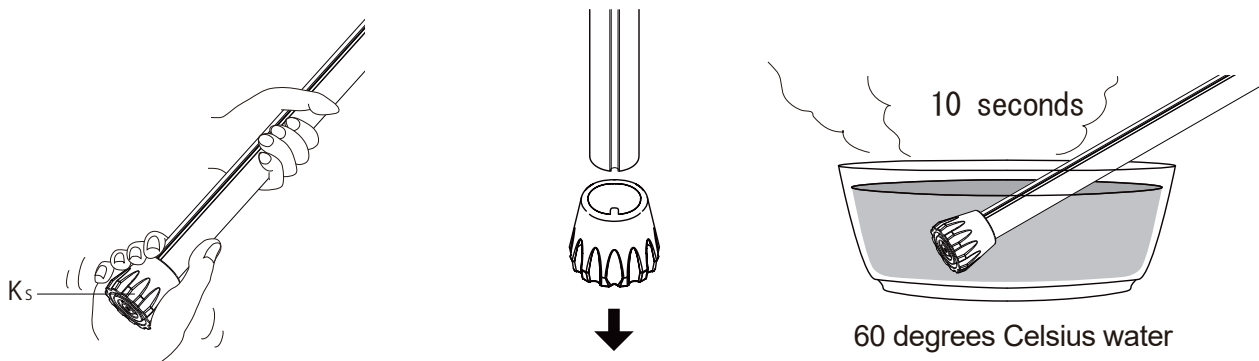
Non-Slip Rubber Feet,  $K_S$  /  $K_L$  /  $K_R$ , are consumables. In case worn or damaged, users can purchase the replacement kits,  $K_S$  /  $K_L$  /  $K_R$  /  $M$ , from the same store or website where obtaining Ta-Da® Chair.

## Consumables



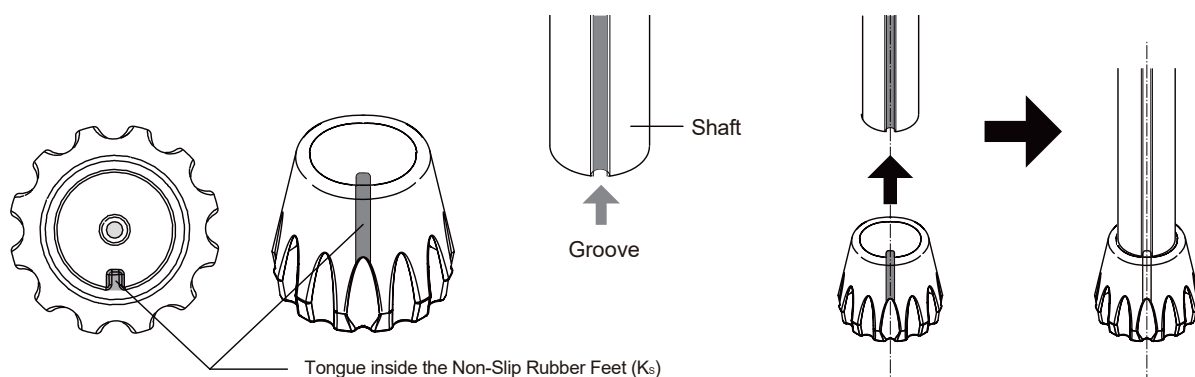
One set of replacement kit contains 1pc of Rubber Foot Shaft ( $K_S$ ), 1pc of Rubber Foot Left ( $K_L$ ), 1pc of Rubber Foot Right ( $K_R$ ), and 1pc of Disassembly Die ( $M$ ).

## Remove the Non-Slip Rubber Feet ( $K_S$ )



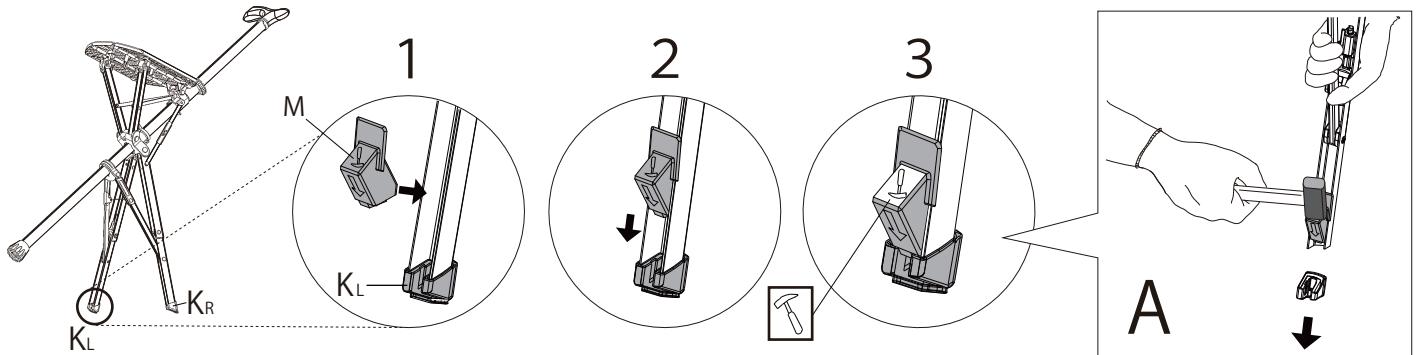
Twist  $K_S$  to remove  $K_S$  from product shaft, If  $K_S$  cannot be removed easily, immerse the Rubber Feet ( $K_S$ ) in the 60 degrees Celsius water for 10 seconds. Then twist to remove. (Extensive attention to the water with temperature as high as 60 degrees Celsius would be highly appreciated)

## Mount the Non-Slip Rubber Feet ( $K_S$ )



Non-Slip Rubber Feet ( $K_S$ ) contains a tongue inside. Aluminum shaft contains two grooves outside. Make tongue and groove joint. Ensure Non-Slip Rubber Feet ( $K_S$ ) and Aluminum shaft are firmly joint.

# Remove the Non-Slip Rubber Feet (K<sub>L</sub>/K<sub>R</sub>)

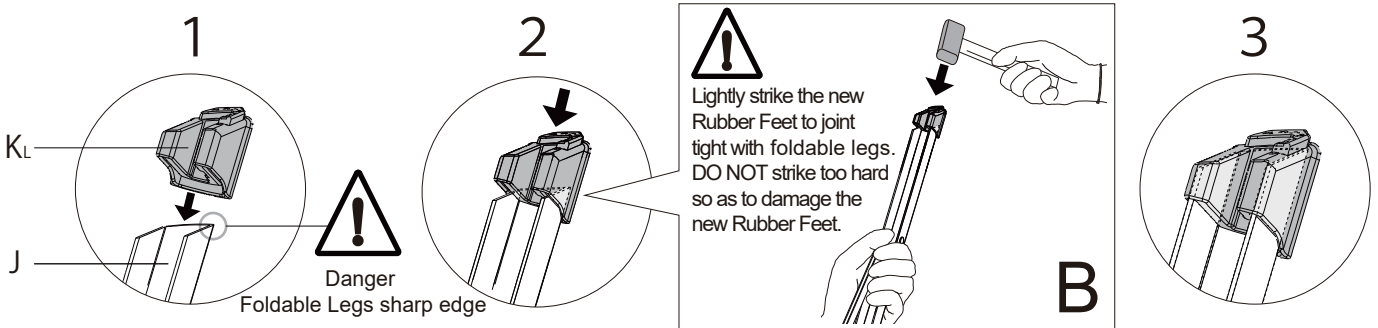
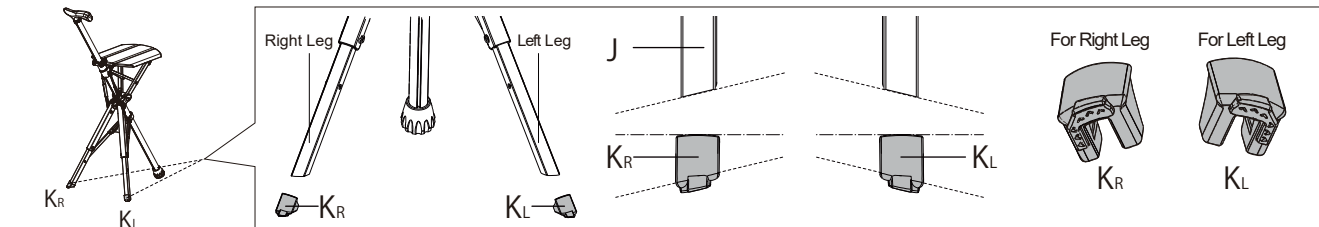


Follow step 1, step 2 and step 3 above, place the Disassembly Die onto the seat leg adjacent to Non-Slip Rubber Feet. Lightly downward strike the Disassembly Die face with icon on.

(※Wearing protective equipment, such as glove, while removing Non-Slip Rubber Feet (K<sub>L</sub>/K<sub>R</sub>) and keeping removed parts from damaging surrounding people or objects are highly recommended).

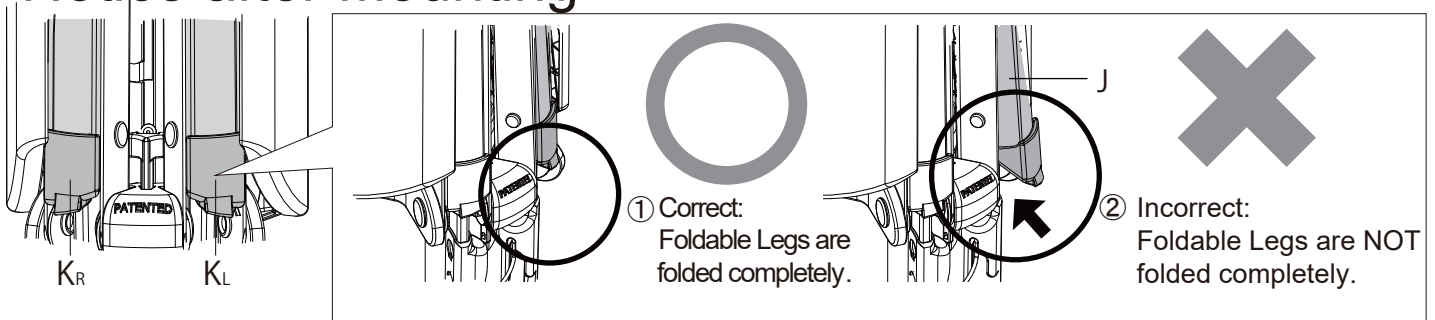
# Mount the Non-Slip Rubber Feet (K<sub>L</sub>/K<sub>R</sub>)

Before mounting, immerse Non-Slip Rubber Feet (K<sub>L</sub>/K<sub>R</sub>) in the 60 degrees Celsius water for 5 minutes, which makes for mounting Non-Slip Rubber Feet (K<sub>L</sub>/K<sub>R</sub>) much more easily (Extensive attention to the water with temperature as high as 60 degrees Celsius would be highly appreciated).



※Make the Foldable Legs capped with new Rubber Feet, as step 2. Lightly strike the new Rubber Feet to joint tight. Wear protective equipment, such as glove, to protect from injury caused by Foldable Legs sharp edge as mounting Rubber Feet.

# Notice after Mounting



※Once the Foldable Legs cannot be folded completely, as drawing, the “Non-Slip Rubber Feet” could be either un-tight or right-left reversed. Check if “Non-Slip Rubber Feet” joint tight and mounted correctly.

# LIMITED WARRANTY AND AFTER SERVICE

Thank you for purchasing Ta-Da® Chair

## Product warranty statement

1. This warranty is for purchasing the products delivered by the Company as a future service.
2. All warranty certificate fields must be filled correctly, and stamp by Authorized service provider. If warranty certificate is lost, the warranty applies for the period defined on the label sticker of manufacture date.
3. The warranty period commences on the date in warranty certificate. The warranty period is one year from the original purchase date.
4. The sales receipt or your purchase invoice showing the date of purchase of the Product and duly filled Warranty Instructions, showing the serial number and date of purchase of the Product, is the proof of the date of purchase. Customers may be asked to furnish proof of ownership and date of purchase by showing the sales receipt/purchase invoice/warranty card. This warranty extends only to the original purchaser, and is non-transferable to anyone who subsequently purchases, leases or otherwise obtains the product from the original purchaser.
5. This Limited Warranty is only valid on the Product purchased in Norway.

This warranty shall be rendered null and void if :

1. The Product is damaged due to subsequent damage or misuse.
2. The Product is damaged due to transportation, fall, weather, extreme temperatures, shock, improper use, mishandling or negligence after the purchase of the Product; The Product is damaged as a result of natural disaster or acts of God, e.g. fire, flood, lightning.
3. The Product is altered, modified and repaired by a party not authorized by step2gold.
4. Non-slip rubber feet are expendable, consumables. It does not cover within one-year warranty.
5. The Warranty period has expired.
6. No proof of original warranty or purchase receipt / invoice.
7. Warranty contents or purchase receipt / invoice is ambiguous or altered.
8. Warranty contents does not match with product serial number or model number.
9. Original material, consumables maintained, operated or use other than in accordance with the instructions provided by step2gold in relation to the Product.
10. The Product is damaged due to commercial purposes.

purchased date	/ /
Warranty period	One year from the original purchase date.
Product name/ model	Ta-Da® Chair #13850 / #13880
Authorized dealer	

※ Warranty is invalid with empty field. If fields are empty, please contact authorized dealer immediately.

## ■ About warranty certificate

Please keep the warranty certificate in a safe place; if lost or destroyed, a new one will not be issued. Please present this warranty card if you require any warranty service for covered defects in the product arising during the warranty period.

※ In relation to latest product information or product update please go to our company website.



Varodd Velferdsteknologi AS  
Telefon: 38 14 48 00  
www.varodd.no