

Raise	Required roof space			
	A	B	C (x800)	D
300	1956	1975	2110	
400	1956	2075	2210	
500	1956	2175	2310	
600	1956	2275	2410	
700	1956	2375	2510	
800	1956	2475	2610	
900	1956	2575	2710	
1000	1956	2675	2810	
1100	2456	2775	2910	
1200	2456	2875	3010	
1400	2456	2975	3110	
1500	2456	3075	3210	

C = x750 platform: -50
x700 platform: -100

If lift platform is min. x700,
High is preferred for person sitting

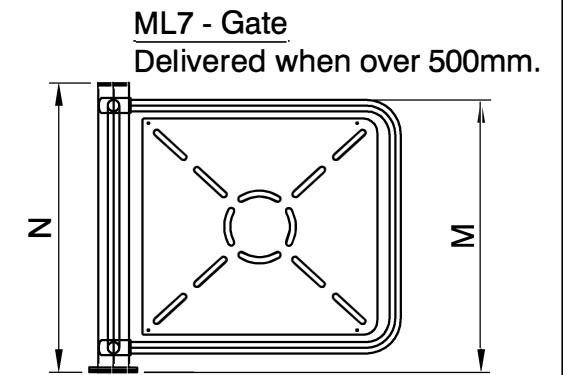
	950 X	1000 X	1200 X	1300 X
E	960	1010	1210	1310
G	1200	1250	1450	1550
H	1030	1080	1280	1380

	X 800	X 750	X 700
F	800	750	700
I	1130*	1080*	1030*
J	1285*	1235*	1185*

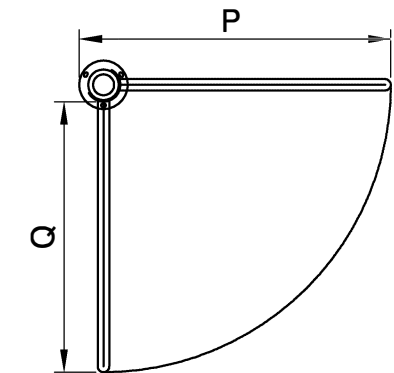
* = +320mm for floor bracket (Only for 0-1000mm.)

Vertical platform lift Specification

Load:	300kg.	Motor:	0.3kw
Drive:	Spindel and Nut.	Power:	240v 1ph 50Hz 10A
Speed:	0.9m / min.	Colour:	RAL 7035 as standard (alternative RAL colours available)
Travel:	subject to survey		
Stops:	2		



ML7 - Gate (Height)	
M	N
900	960
1100	1160



ML7 - Gate (Length)		
F	P	Q
x700	930	800
x750	980	850
x800	1030	900
E		
950x	1180	1050
1000x	1230	1100
1200x	1430	1300
1300x	1530	1400

 aps.

Ellehammervej 6
DK-9900 Frederikshavn
Tel - +45 98 43 01 22
Fax - +45 98 42 08 62
E-mail - cama@cama.dk
website - www.cama.dk

TITLE Handi-Lift ML7 - Vertical platform lift		REV A
DWG NO. HL7-001 - NO		DRAWN ABV
SCALE A3 1:25	DATE 23.05.2016	