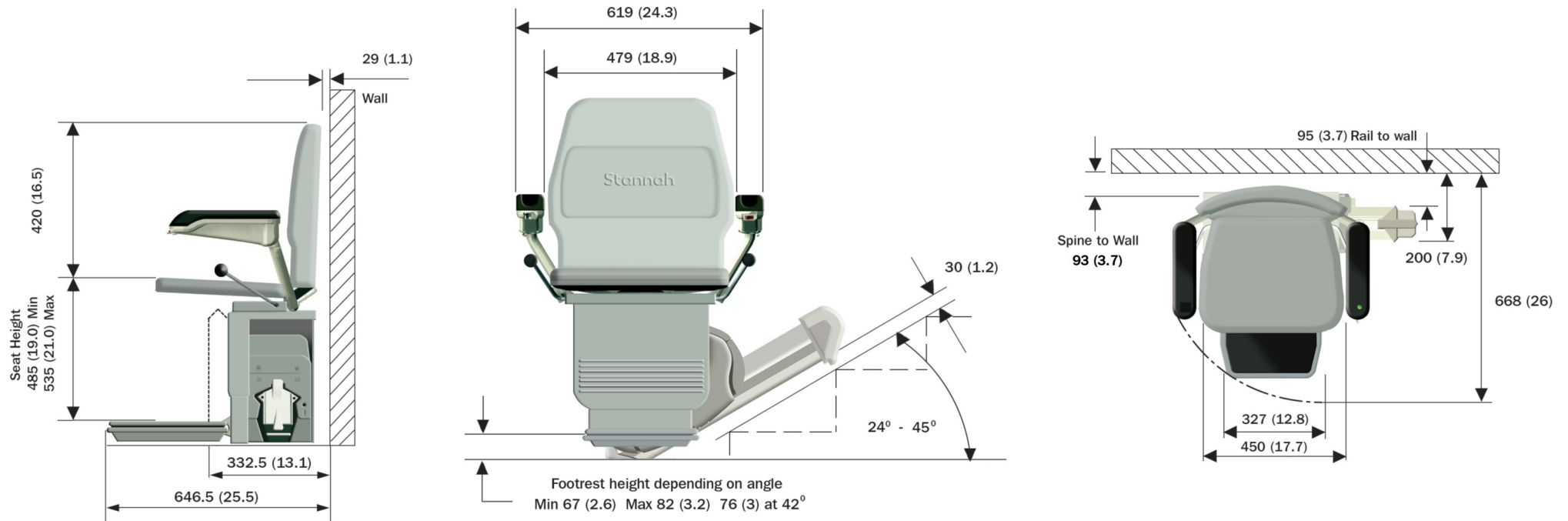


# 320 Outdoor

## Straight Stairs Model 320: Dimensions and Technical Information



Measurements are in millimetres. Measurements in brackets are inches. All dimensions measured from the wall are nominal. The addition of a wide stringer or similar obstruction may affect the dimensions taken from this point. The colour representation of the chair shown here is for illustrative purposes only. **Weight limit note: Upto 135kg - approx 21 stone**

All product dimensions are accurate, however, you should add approximately 30mm on dimensions that require clearance for the user, such as the minimum swivel width dimension.



**Mixed Sources**  
Product group from well-managed forests and other controlled sources  
www.fsc.org Cert no. SA-COC-002209  
© 1996 Forest Stewardship Council

Stannah Stairlifts, Watt Close, East Portway, Andover, Hampshire SP10 3SD **Tel: +44 (0) 1264 364311** Fax: +44 (0) 1264 362276 Visit the website [www.stannah.com](http://www.stannah.com)

OUR COMPANY POLICY IS ONE OF CONTINUING PRODUCT IMPROVEMENT. WE THEREFORE RESERVE THE RIGHT TO ALTER THE SPECIFICATIONS AND TO CHANGE AND IMPROVE DESIGN AT ANY TIME. FULL OPERATING INSTRUCTIONS ARE SUPPLIED FOR ALL PRODUCTS. STANNAH IS A REGISTERED TRADEMARK. THE CE MARK INDICATES THAT THIS PRODUCT COMPLIES WITH THE APPLICABLE EUROPEAN DIRECTIVES WHICH RELATE TO HEALTH, SAFETY, ENVIRONMENT AND CONSUMER PROTECTION. DESIGN, MANUFACTURE AND INSTALLATION: STANNAH STAIRLIFTS LTD HAS BEEN ACCREDITED TO ISO9001:2008 SINCE 2009, THIS IS FOR DESIGN, DEVELOPMENT, PRODUCTION AND DISTRIBUTION OF STAIR LIFTS. ALTERATIONS IN MODELS, STANDARD AND OPTIONAL EQUIPMENT AS DESCRIBED IN THE TEXT AND ILLUSTRATIONS, MAY OCCUR. FOR PRECISE INFORMATION PLEASE CONTACT YOUR STANNAH DEALER. ISSUE 1: JAN 2011

# Stannah